

RA Flat actuator red, includes standard nose
BA Flat actuator black, includes standard nose
B5 5 wire flat actuator blue, includes standard nose

DN Snap-on D-Nose used with LP1 or LP2
NP Special nose piece used on hardware
-- Only standard nose piece is necessary, leave part number entry blank

J1 Assembled J236 lock with cam, linkpin, and long rod
J2 Assembled J236 lock with cam, rod, and rod connector
J3 Assembled CH510 lock with cam, linkpin, and long connector
J4 Assembled CH510 lock with cam, rod connector and rod
J5 Assembled long J236 lock with cam, linkpin, and long rod
J6 Assembled long J236 lock with cam, rod, and rod connector
J7 Assembled J236 lock with cam, linkpin, rod connector and long rod
J8 Assembled J236 lock with cam, rod and (2) rod connectors
J9 N/A
J0 N/A
-- No lock necessary, leave part number entry blank

LP1 Standard linkpin length of 7/8" Optional rod hookup
LP2 Long linkpin length of 1.75" Includes 8/32 locking nut
--- No linkpin needed, leave part number entry blank

B1 Adhesive mounting base for flat actuators
B2 Non-adhesive mounting base for flat actuators
-- No base desired, leave part number entry blank

C2 Clear cover used with flat style actuator
- No clear cover, leave part number entry blank

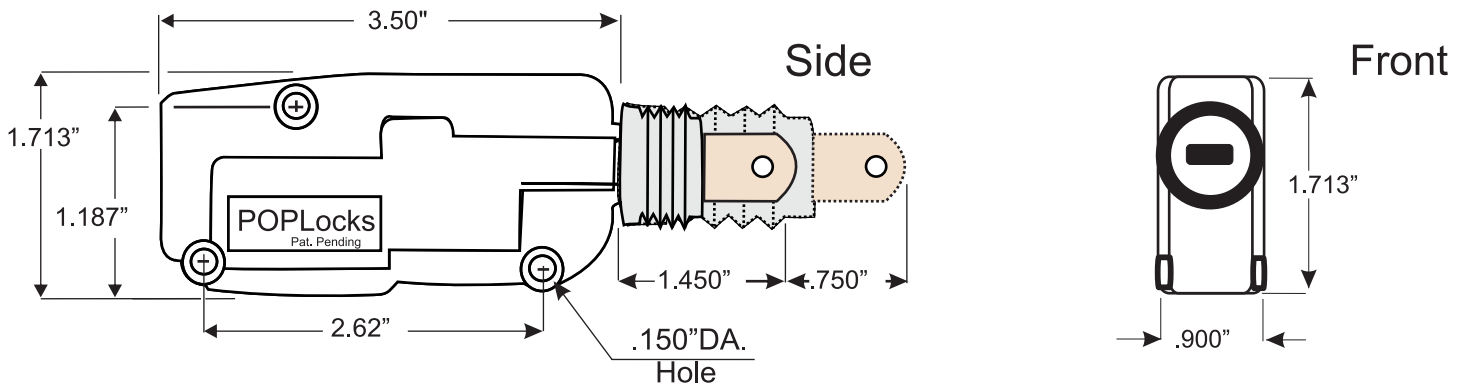
| Actuator Type | | Nosepiece | | Lock Type | | Linkpin | | Mounting Base | | Clear Cover | |
|------------------------------------|-----|-----------|-----|-----------|-----|---------|--|---------------|--|-------------|--|
| RA | DN | J1 | LP1 | B1 | C2 | | | | | | |
| BA | NP | J2 | LP2 | B2 | n/a | | | | | | |
| B5 | n/a | J3 | n/a | n/a | | | | | | | |
| | | J4 | | | | | | | | | |
| | | J5 | | | | | | | | | |
| | | J6 | | | | | | | | | |
| | | J7 | | | | | | | | | |
| | | J8 | | | | | | | | | |
| Enter parts below from each column | | | | | | | | | | | |
| RA | --- | J2 | --- | B1 | --- | | | | | | |

Example
 RA-J2B1
 Red Actuator
 Standard Nosepiece
 J236, Rod, and
 Rod Connector



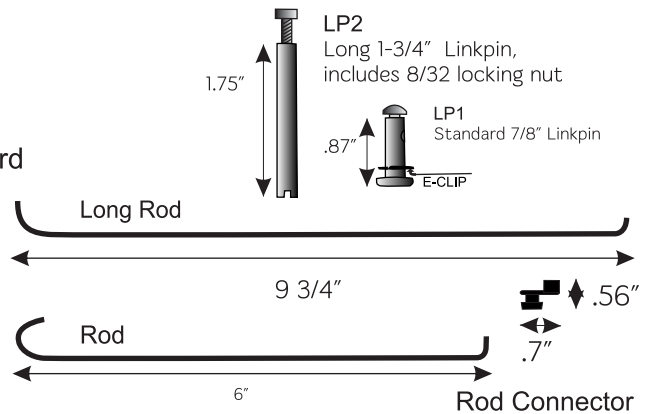
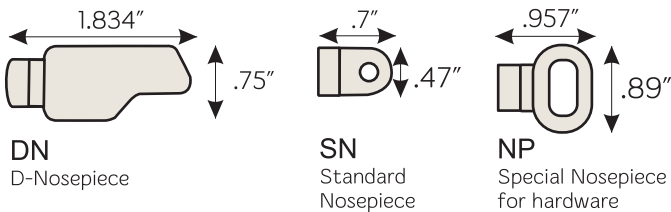
Part Name Description

- RA** Flat actuator red, includes standard nose
- BA** Flat actuator black, includes standard nose
- B5** 5 wire flat actuator blue, includes standard nose

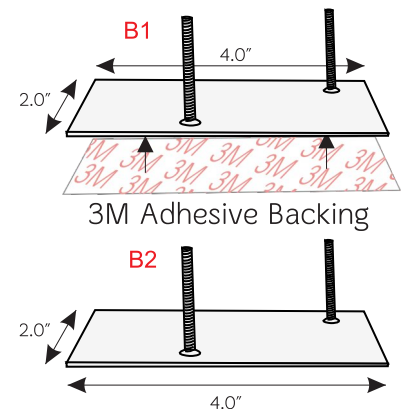
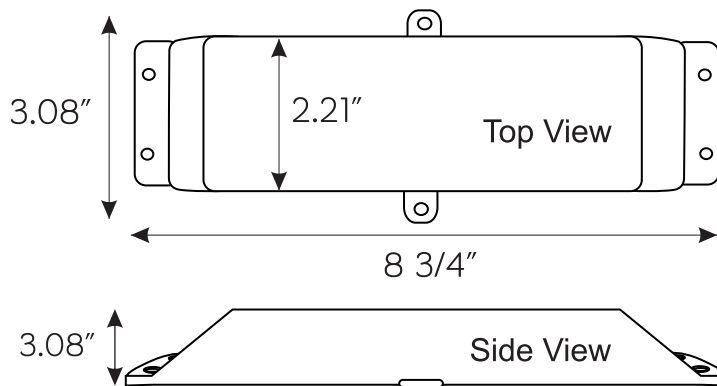


Part Name Description

- DN** Snap-on D-Nose used with LP1 or LP2
- NP** Special nose piece used on hardware
- No special nosepiece; standard nosepiece comes standard



C2 Clear Cover



J1- Assembled J236 lock with cam, linkpin, and long rod.

Original Cam Lock to be Replaced

Lazy Action Replacement Lock

Retrofit I.D. Chart
Nose of cam can be bent to accommodate orientation.

Linkpin .87" E-CLIP

Rod 9 3/4"

J2- Assembled J236 lock with cam, rod, and rod connector.

Original Cam Lock to be Replaced

Lazy Action Replacement Lock

Retrofit I.D. Chart
Nose of cam can be bent to accommodate orientation.

Rod Connector .56" .7"

Rod 6"

J3- Assembled CH510 lock with cam, linkpin, and long rod.

Original Cam Lock to be Replaced

Lazy Action Replacement Lock

Retrofit I.D. Chart
Nose of cam can be bent to accommodate orientation.

Linkpin .87" E-CLIP

Rod 9 3/4"

J4- Assembled long CH-510 lock with cam, rod connector, & rod.

Original Cam Lock to be Replaced

Lazy Action Replacement Lock

Retrofit I.D. Chart
Nose of cam can be bent to accommodate orientation.

Rod Connector .56" .7"

Rod 6"



J5- Assembled long J236 lock with cam, linkpin, and long rod.

Retrofit I.D. Chart
Nose of cam can be bent to accommodate orientation.

Linkpin .87"
Rod 9 3/4"

J6- Assembled long J236 lock with cam, rod, and rod connector.

Retrofit I.D. Chart
Nose of cam can be bent to accommodate orientation.

Rod Connector .56"
Rod 6"

J7- Assembled J236 lock with cam, linkpin, rod connector, & long rod.

Retrofit I.D. Chart
Nose of cam can be bent to accommodate orientation.

Linkpin .87"
Rod Connector .56"
Rod 9 3/4"

J8- Assembled J236 lock with cam, rod and (2) rod connectors

Retrofit I.D. Chart
Nose of cam can be bent to accommodate orientation.

Linkpin .87"
Rod Connector .56"
Rod 6"

