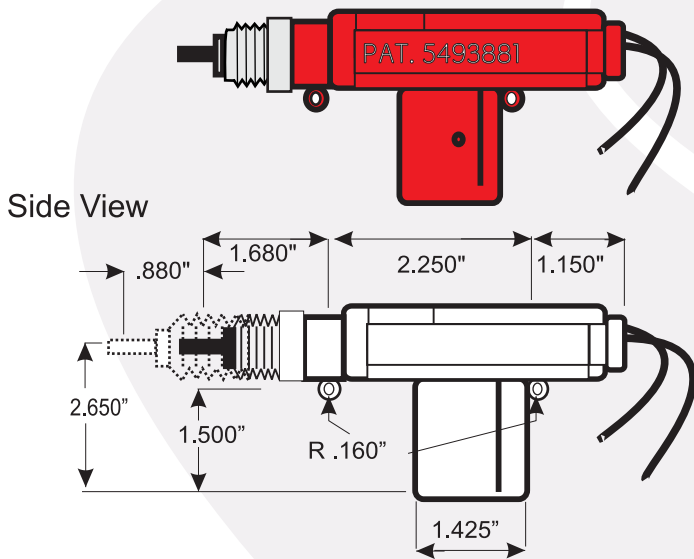


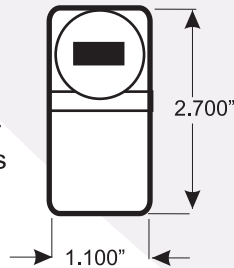
Red actuators employ a unique spring detent feature. The spring detent holds the intended lazy action latch in its designated position. This feature is the principle used with many P.O.P. Locks products.



Side View

End View

MES actuators share critical dimensions allowing crossover components i.e.; bases, covers and connecting linkages to be interchanged.



Nominal Voltage, 12 Volt
Current with blocked rotor, 3 amp

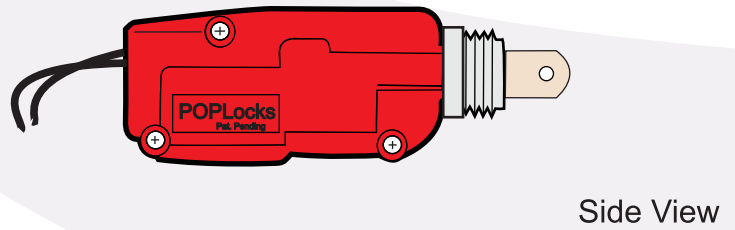
1) Operational Force

| VOLTAGE | TEMPERATURE | FORCE |
|---------|-------------|-------|
| 13v+ | 20oC | 30N |
| 13v+ | 70oC | 25N |
| 13v+ | 25oC | 30N |

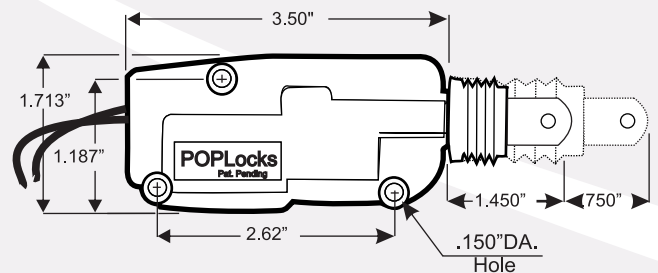
2) Operational Test Tolerance for test result -10%, +30%

1 Cycle
Test
Load = 1 opening and one closing movement
= 50,000 cycles
Test cycle $\bar{= 20N}$ power on 0.5 seconds power off 15.0 seconds.

Motor to be cooled by fan at 50 Celsius.



Side View



End View

Flat Act™ actuators share critical dimensions allowing crossover components i.e.; bases, covers and connecting linkages to be interchanged.

Nominal Voltage, 12 Volt
Current with blocked rotor, 3 amp

1) Operational Force

| VOLTAGE | TEMPERATURE | FORCE |
|---------|-------------|-------|
| 13v+ | 20oC | 30N |
| 13v+ | 70oC | 25N |
| 13v+ | 25oC | 30N |

2) Operational Test Tolerance for test result -10%, +30%

1 Cycle
Test
Load = 1 opening and one closing movement
= 180,000 cycles
Test cycle $\bar{= 20N}$ power on 0.5 seconds power off 15.0 seconds.

Motor to be cooled by fan at 50 Celsius.

