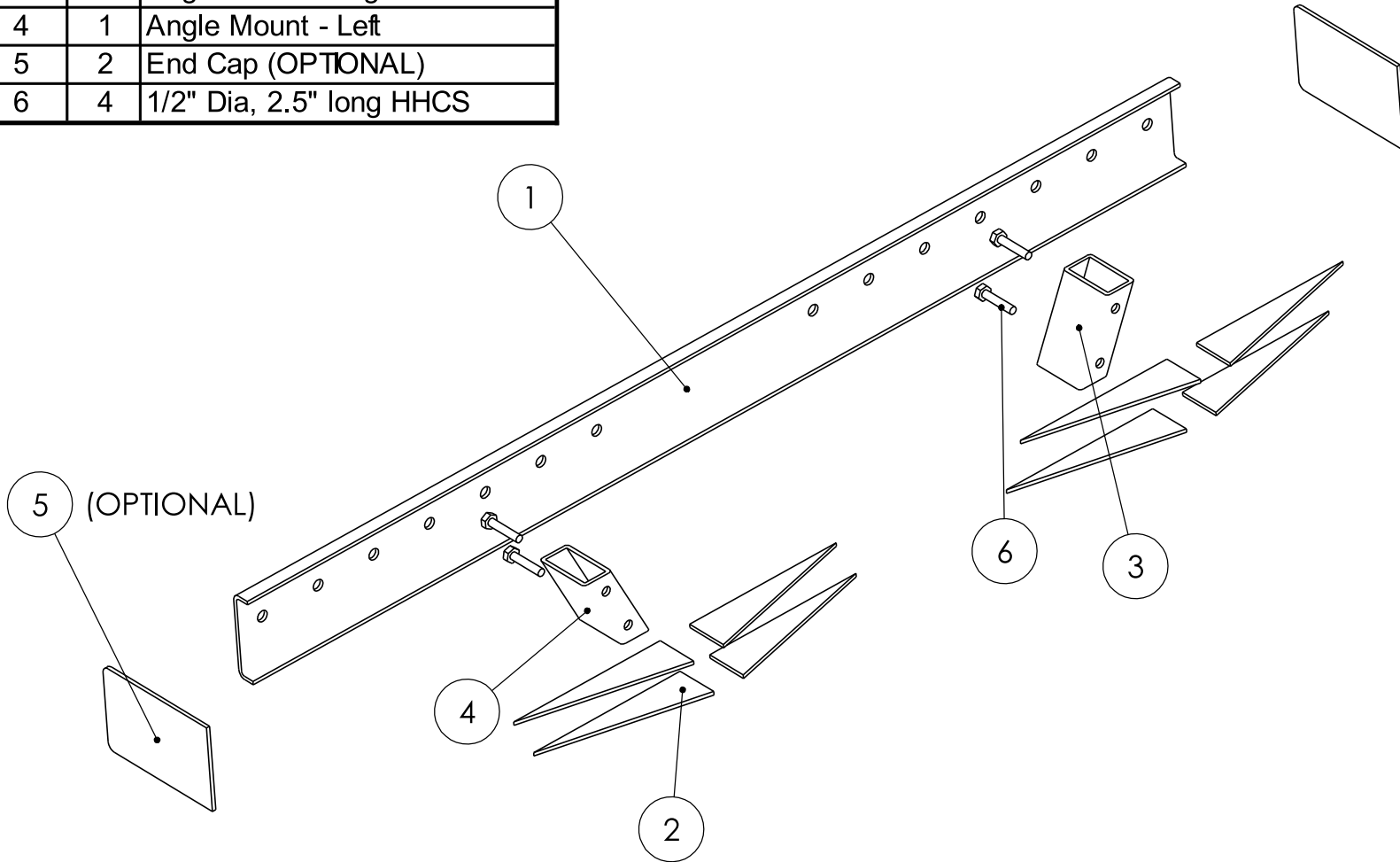


Part #	Qty	Description
1	1	Backbone
2	8	Gusset
3	1	Angle Mount - Right
4	1	Angle Mount - Left
5	2	End Cap (OPTIONAL)
6	4	1/2" Dia, 2.5" long HHCS

ZONE		REV.	REVISIONS DESCRIPTION	DATE	APPROVED

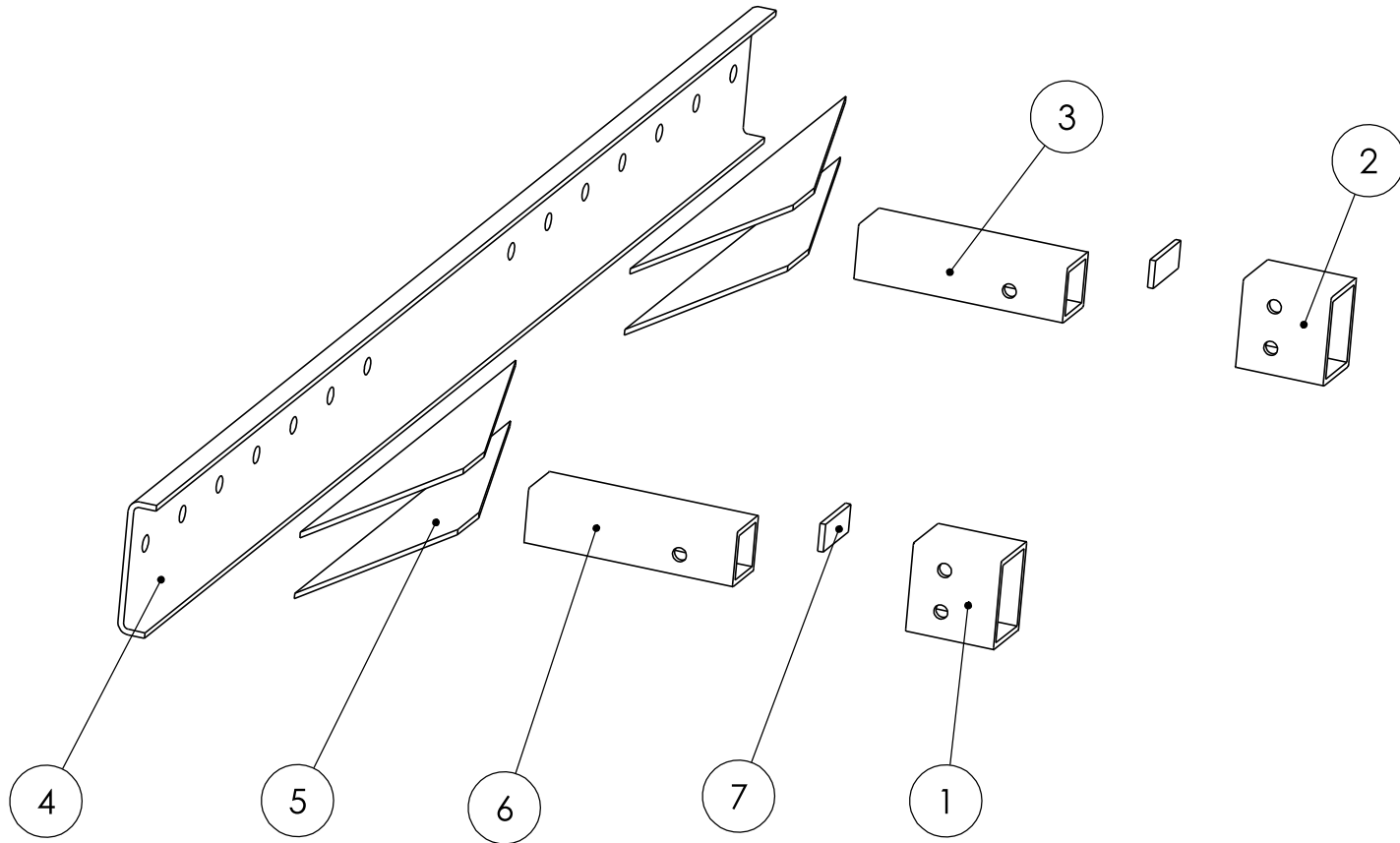


THE INFORMATION CONTAINED IN THIS DRAWING IS THE SOLE PROPERTY OF HDC, Inc. ANY REPRODUCTION IN PART OR AS A WHOLE WITHOUT THE WRITTEN PERMISSION OF HDC, Inc. IS PROHIBITED.

DIMENSIONS ARE IN INCHES		NAME	DATE	HDC, Inc.
TOLERANCES:		DRAWN	CAK	
FRACTIONAL ±		CHECKED		ABumper Mount FORD
ANGULAR: MACH ± BEND ±		ENG APPR.		
TWO PLACE DECIMAL ±		MFG APPR.		
THREE PLACE DECIMAL ±		Q.A.		
MATERIAL	--	COMMENTS:		SIZE DWG. NO. REV.
FINISH	--			
DO NOT SCALE DRAWING				SCALE:1:10 WEIGHT: SHEET 1 OF 10

Part #	Qty	Description
1	1	Right Frame Couple
2	1	Left Frame Couple
3	1	Left Frame Arm
4	1	Backbone
5	4	Large Gusset
6	1	Right Frame Arm
7	2	Box Cap

REVISIONS		DATE	APPROVED
ZONE	REV.	DESCRIPTION	



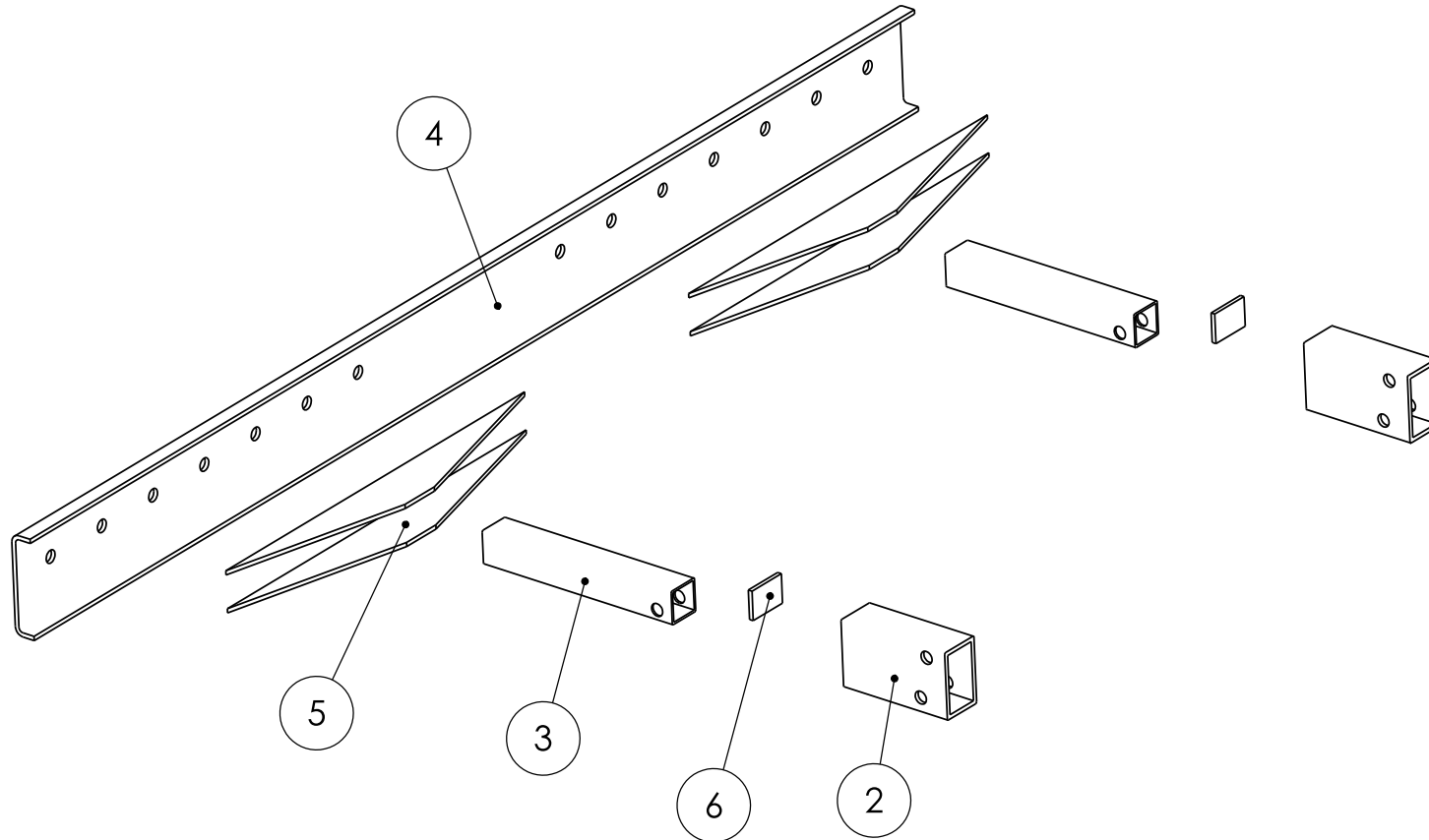
DIMENSIONS ARE IN INCHES		NAME	DATE
TOLERANCES:		DRAWN	???
FRACTIONAL ±		CHECKED	??/??/????
ANGULAR: MACH ± BEND ±		ENG APPR.	
TWO PLACE DECIMAL ±		MFG APPR.	
THREE PLACE DECIMAL ±		Q.A.	
MATERIAL	--	COMMENTS:	
FINISH	--		
DO NOT SCALE DRAWING			

THE INFORMATION CONTAINED IN THIS DRAWING IS THE SOLE PROPERTY OF HDC, Inc. ANY REPRODUCTION IN PART OR AS A WHOLE WITHOUT THE WRITTEN PERMISSION OF HDC, Inc. IS PROHIBITED.

HDC, Inc.		
Chevrolet ABumper Mount		
SIZE	DWG. NO.	REV.
SCALE:1:8	WEIGHT:	SHEET 1 OF 12

Part #	Qty	Description
2	2	Couple
3	2	Arm
4	1	Backbone
5	4	Large Gusset
6	2	Box Cap

		REVISIONS		DATE	APPROVED
ZONE	REV.	DESCRIPTION			



THE INFORMATION CONTAINED IN THIS DRAWING IS THE SOLE PROPERTY OF HDC, Inc. ANY REPRODUCTION IN PART OR AS A WHOLE WITHOUT THE WRITTEN PERMISSION OF HDC, Inc. IS PROHIBITED.

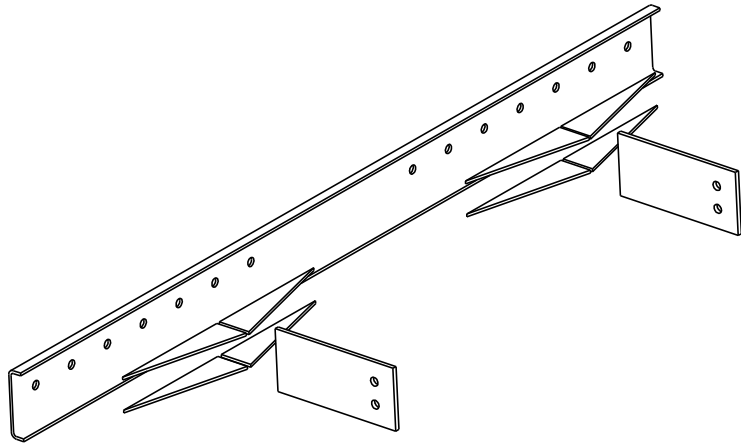
DIMENSIONS ARE IN INCHES		NAME	DATE
TOLERANCES:		DRAWN	???
FRACTIONAL ±		??/??/????	
ANGULAR: MACH ± BEND ±		CHECKED	
TWO PLACE DECIMAL ±		ENG APPR.	
THREE PLACE DECIMAL ±		MFG APPR.	
MATERIAL --		Q.A.	
FINISH --		COMMENTS:	
DO NOT SCALE DRAWING			

HDC, Inc.

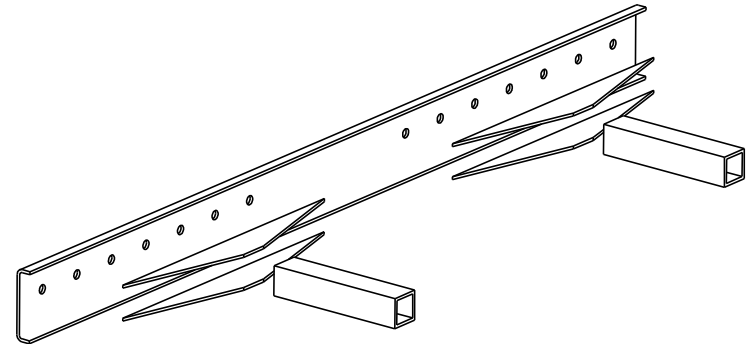
**A-Bumper Frame  
DODGE**

SIZE	DWG. NO.	REV.
SCALE:1:10	WEIGHT:	SHEET 1 OF 10

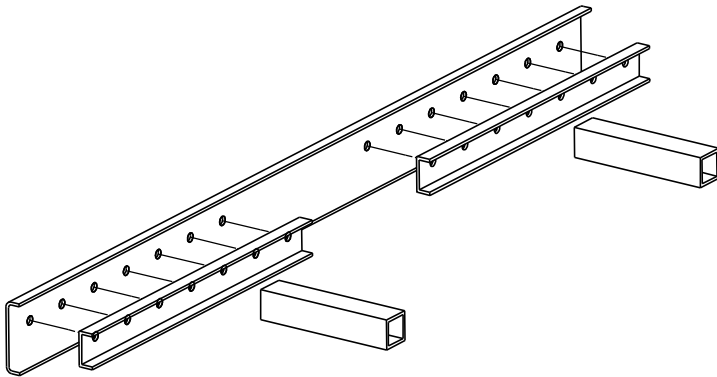
		REVISIONS			
ZONE	REV.	DESCRIPTION		DATE	APPROVED



Mounting Option 1



Mounting Option 2

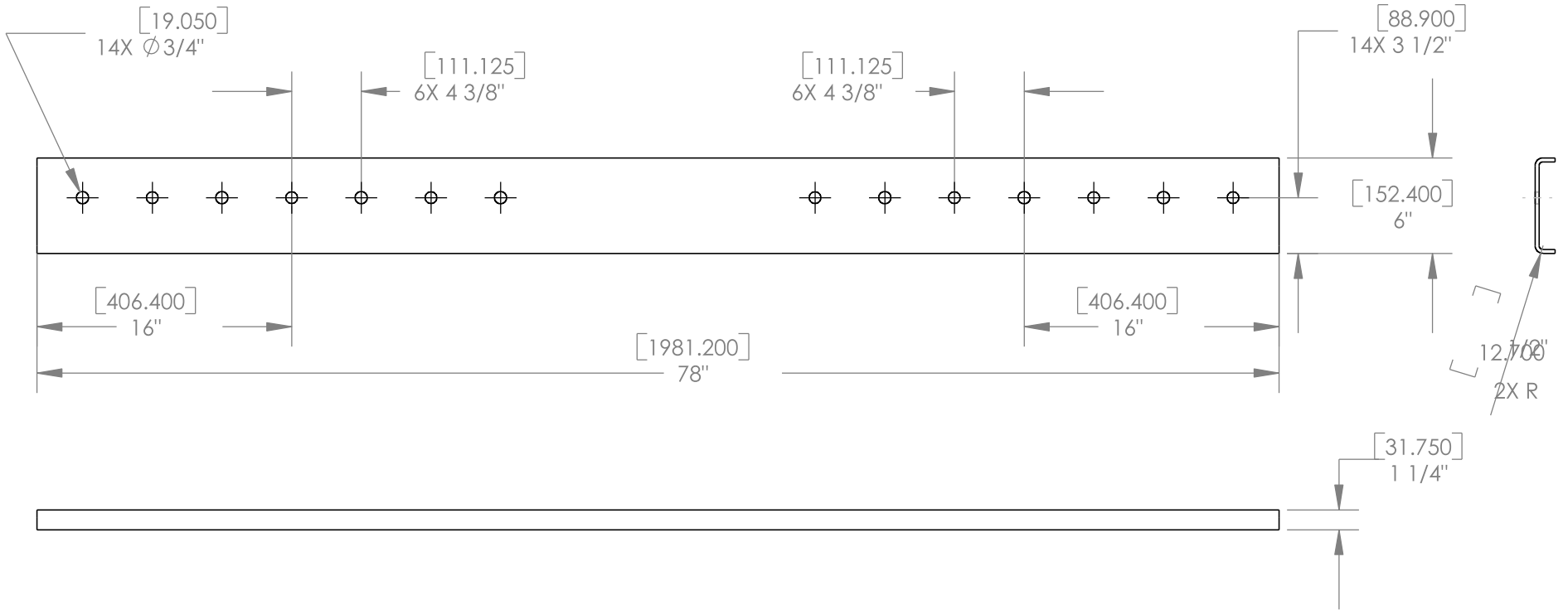


Mounting Option 3

THE INFORMATION CONTAINED IN THIS DRAWING IS THE SOLE PROPERTY OF HDC, Inc. ANY REPRODUCTION IN PART OR AS A WHOLE WITHOUT THE WRITTEN PERMISSION OF HDC, Inc. IS PROHIBITED.

DIMENSIONS ARE IN INCHES		NAME	DATE	HDC, Inc.		
TOLERANCES:		DRAWN	CAK		09/22/2006	
FRACTIONAL ±		CHECKED		Commercial Mounting Options		
ANGULAR: MACH ± BEND ±		ENG APPR.				
TWO PLACE DECIMAL ±		MFG APPR.				
THREE PLACE DECIMAL ±		Q.A.				
MATERIAL	--	COMMENTS:		SIZE	DWG. NO.	REV.
FINISH	--			SCALE:1:15	WEIGHT:	SHEET 1 OF 4
DO NOT SCALE DRAWING						

REVISIONS				
ZONE	REV.	DESCRIPTION	DATE	APPROVED



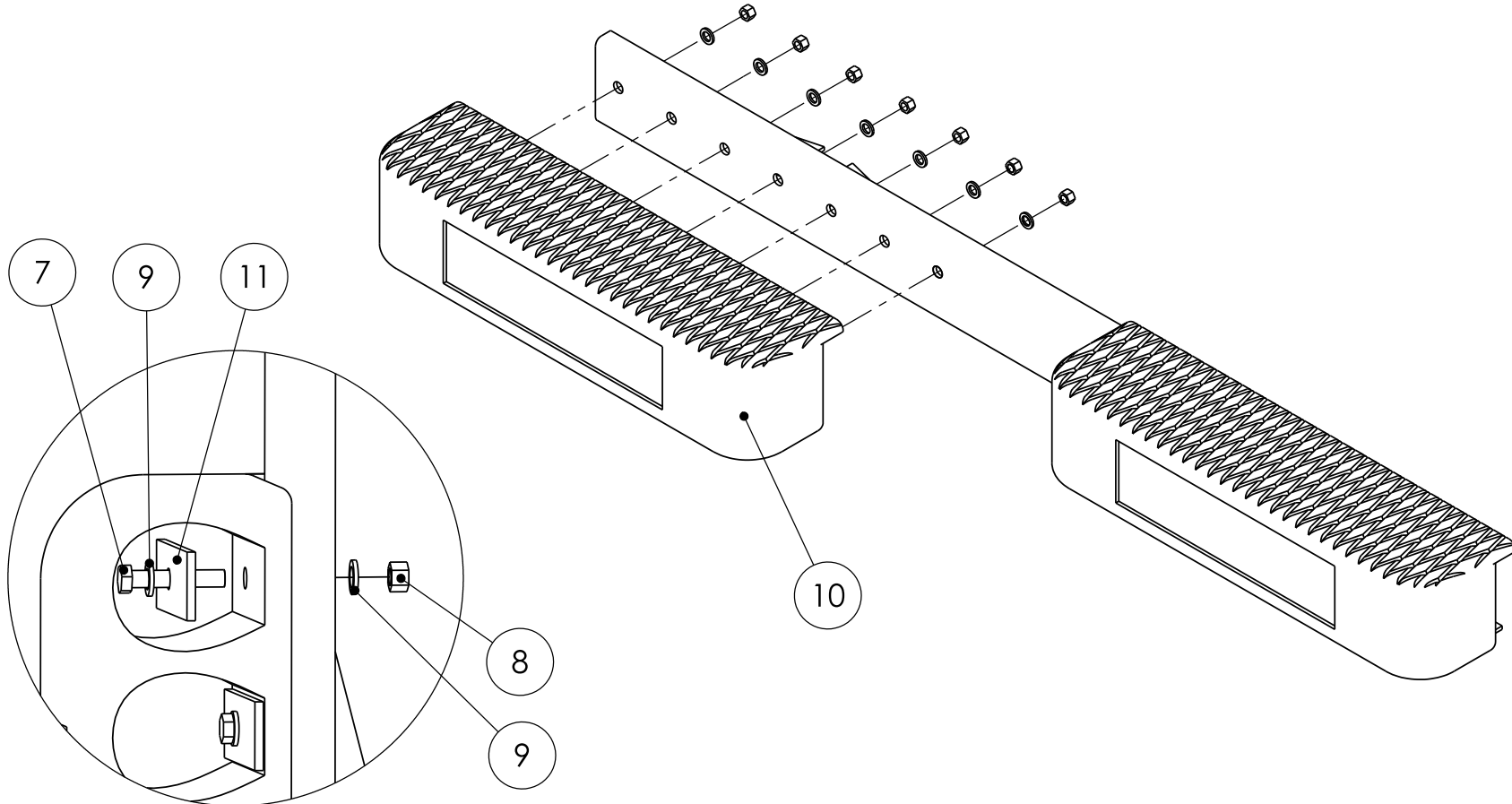
THE INFORMATION CONTAINED IN THIS DRAWING IS THE SOLE PROPERTY OF HDC, Inc. ANY REPRODUCTION IN PART OR AS A WHOLE WITHOUT THE WRITTEN PERMISSION OF HDC, Inc. IS PROHIBITED.

DIMENSIONS ARE IN INCHES		NAME	DATE
TOLERANCES:		DRAWN	09/08/2006
FRACTIONAL ±		CHECKED	
ANGULAR: MACH ± BEND ±		ENG APPR.	
TWO PLACE DECIMAL ±		MFG APPR.	
THREE PLACE DECIMAL ±		Q.A.	
MATERIAL		COMMENTS:	
1/4" Structural Channel			
FINISH	--		
DO NOT SCALE DRAWING			

HDC, Inc.		
Backbone		
SIZE	DWG. NO.	REV.
SCALE: 1:10	WEIGHT:	SHEET 2 OF 4

Part #	Qty	Description
7	14	5/8"-13 HHCS, 2.75" long, 1.55" thrd
8	14	5/8" Nylon Locking Nut
9	28	0.625" ID, 1.00" OD Washer
10	2	ABumper Pad
11	14	Metal Backing

ZONE		REV.	REVISIONS	DATE	APPROVED
			DESCRIPTION		



Hardware Mounting

THE INFORMATION CONTAINED IN THIS DRAWING IS THE SOLE PROPERTY OF HDC, Inc. ANY REPRODUCTION IN PART OR AS A WHOLE WITHOUT THE WRITTEN PERMISSION OF HDC, Inc. IS PROHIBITED.

DIMENSIONS ARE IN INCHES  
TOLERANCES:  
FRACTIONAL ±  
ANGULAR: MACH ± BEND ±  
TWO PLACE DECIMAL ±  
THREE PLACE DECIMAL ±

MATERIAL --  
FINISH --  
DO NOT SCALE DRAWING

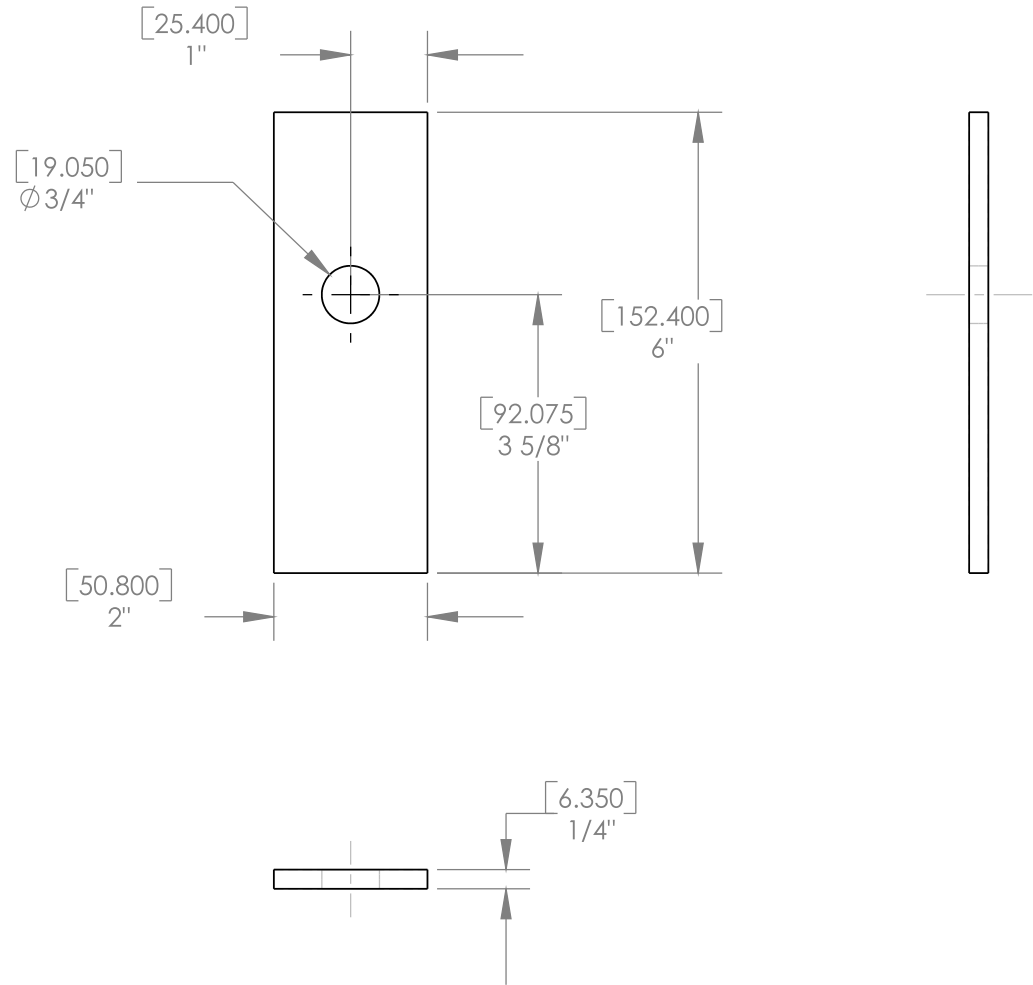
	NAME	DATE
DRAWN	???	??/??/????
CHECKED		
ENG APPR.		
MFG APPR.		
Q.A.		
COMMENTS:		

HDC, Inc.

A-Bumper Mount

SIZE	DWG. NO.	REV.
SCALE:1:10	WEIGHT:	SHEET 3 OF 4

REVISIONS				
ZONE	REV.	DESCRIPTION	DATE	APPROVED



THE INFORMATION CONTAINED IN THIS DRAWING IS THE SOLE PROPERTY OF HDC, Inc. ANY REPRODUCTION IN PART OR AS A WHOLE WITHOUT THE WRITTEN PERMISSION OF HDC, Inc. IS PROHIBITED.

DIMENSIONS ARE IN INCHES  
TOLERANCES:  
FRACTIONAL  $\pm$   
ANGULAR: MACH  $\pm$  BEND  $\pm$   
TWO PLACE DECIMAL  $\pm$   
THREE PLACE DECIMAL  $\pm$

MATERIAL  
**1/4" Flat Steel Stock**

FINISH --

DO NOT SCALE DRAWING

	NAME	DATE
DRAWN	CAK	09/11/2006
CHECKED		
ENG APPR.		
MFG APPR.		
Q.A.		

COMMENTS:

**HDC, Inc.**

**Metal Backing**

SIZE	DWG. NO.	REV.
SCALE: 1:2.5	WEIGHT:	SHEET 4 OF 4